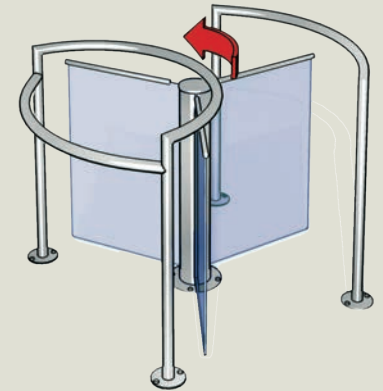


HTS-E03

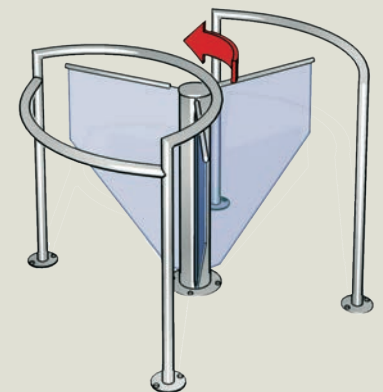
Waist height turnstiles

Standard units	HTS-E03
Construction	
Material	AISI 304 stainless steel / toughened safety glass, 3/8" (10 mm).
Side barrier elements	Made of AISI 304 stainless steel tubing Ø1-7/8" (Ø48 mm), mitered.
Rotating units	With tubular column Ø5-1/2" (Ø140 mm) made of AISI 304 stainless steel. With three glass elements and stainless steel bar handles. Glass elements are one of: Option 1: Three tall glass elements Option 2: Three bevelled glass elements Option 3: Three half-height glass elements Locking system, drive & toothed clutch installed in tubular column.
Finish	Stainless steel satin finish.
Function	Power assist; servo-positioning drive/electrically controlled in 2 directions. Passage side can be selected: inwards right or inwards left.
Electrical equipment	Control unit in external switch cabinet: H 11-1/8" x W 6-5/8" x D 4-1/2" (H 283 mm x W 168 mm x D 115 mm).
Power supply	110 – 230 VAC, 50/60 Hz, 253 VA. In case of power failure both directions free.
Standby power consumption	15 VA.
Installation	Finished floor. Not suitable for outdoor installation.
Protection classes	Housing IP43, components conducting supply voltage IP54.

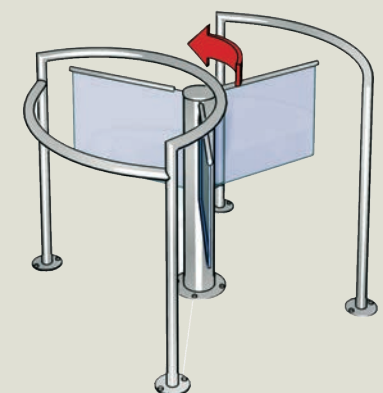
Option 1



Option 2



Option 3

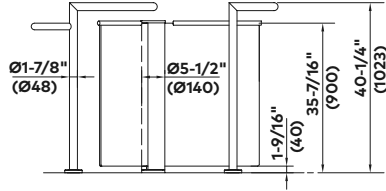


HTS-E03

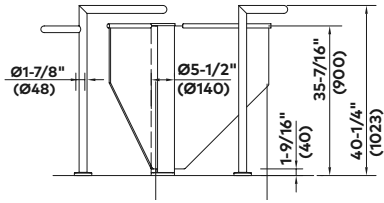
Elevation drawings

HTS-E03

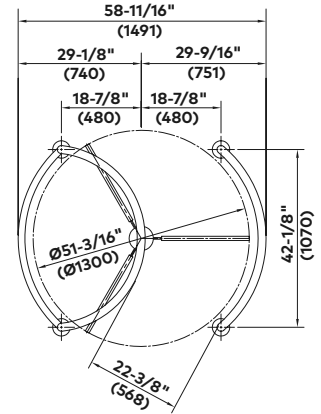
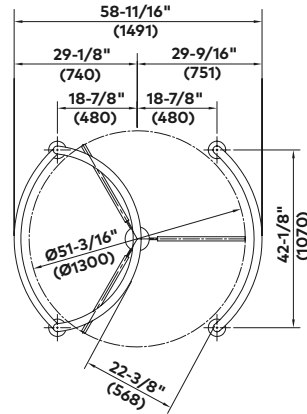
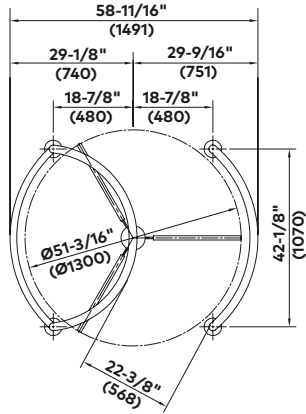
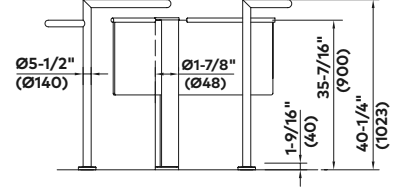
Option 1



Option 2

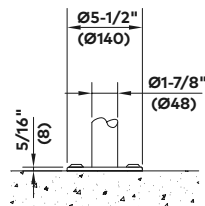


Option 3

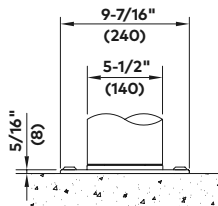


Installation examples

Guiding elements



Column



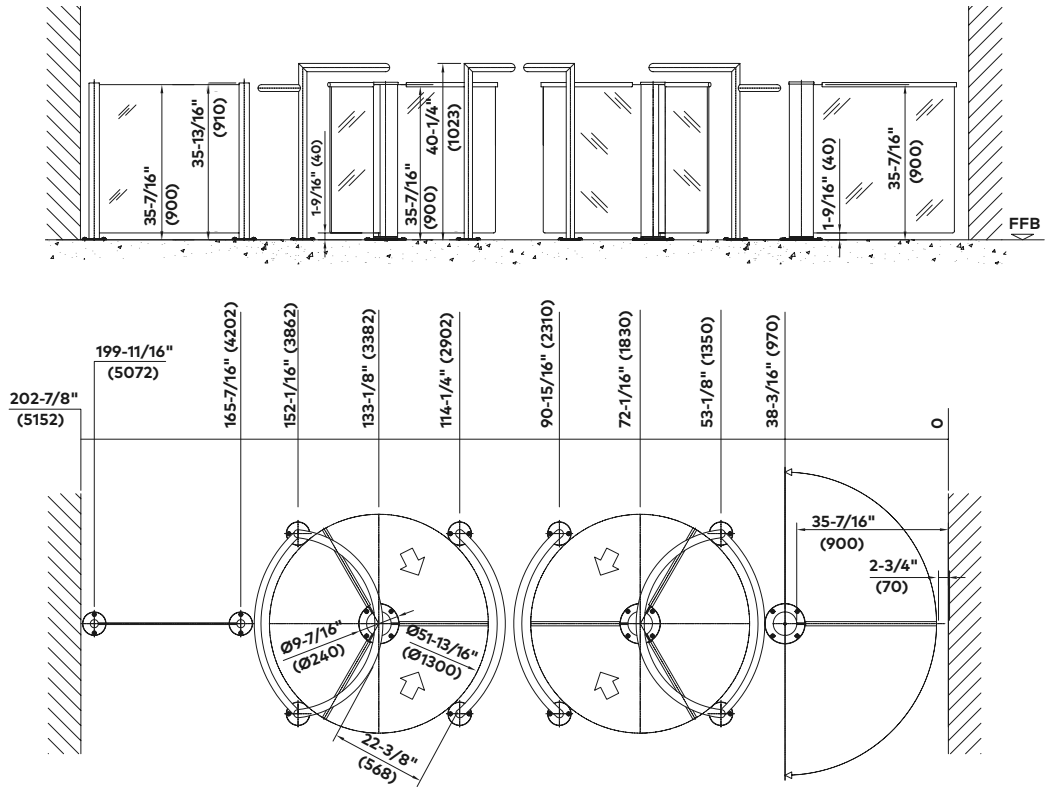
Note

Dimensions are shown as inches followed by millimeters; for example, 1" (25).

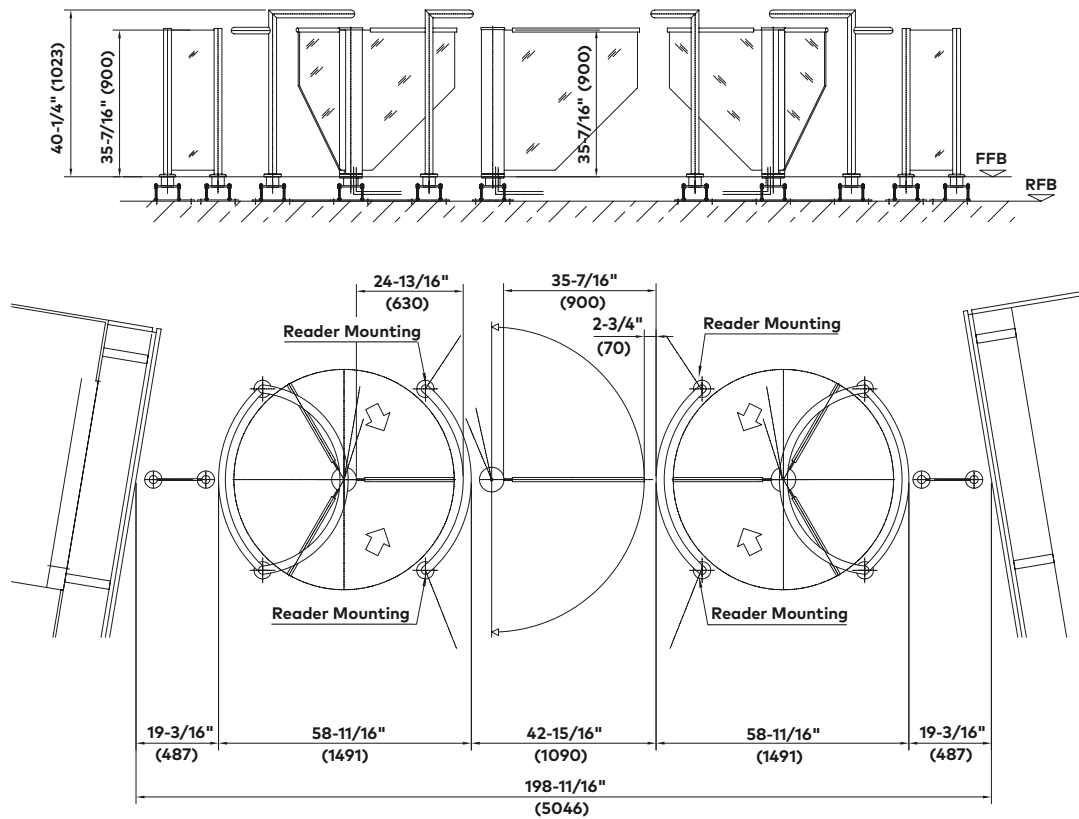
HTS-E03

Installation drawings

HTS-E03 with tall glass barrier elements (option 1)



HTS-E03 with bevelled glass barrier elements (option 2)



HTS-E03

Options

Function

Option 1: Three tall glass elements	<input type="radio"/>
Option 2: Three bevelled glass elements	<input type="radio"/>
Option 3: Three half-height glass elements.	<input type="radio"/>

Electrical equipment

Installation preparation with adapter or mounting plate.	<input type="radio"/>
Consoles with adapter made of plastic or aluminium (also available in stainless steel for an additional charge).	<input type="radio"/>
Operating panels and frames or surface mount housing.	<input type="radio"/>

optional